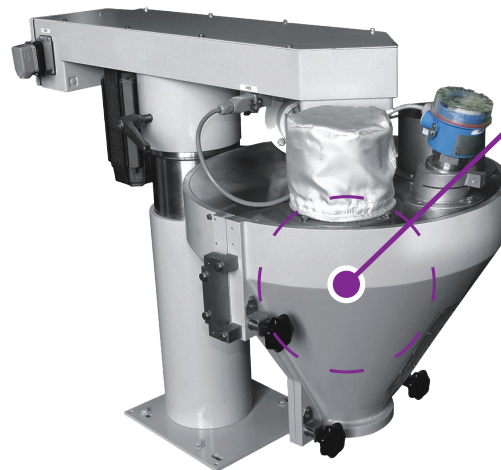


SD-series.

Auger Dosers



The auger dosers of the SD series enables high-precision dosing of free-flowing and viscous-powdery products. In doing so, it offers the highest precision in dosing and reproducibility as well as gentle product handling.

Function.

- > Product feeding into the dosing hopper
- > Filling level control
- > Homogenization through product-specific agitators
- > Defined discharge through programmable auger revolutions

Safe.

- > Integration of recipes for auger doser and form- fill- and seal machine in one control
- > Complete electronic monitoring
- > Constant filling level control
- > Whirled precision dosing screws

Flexible.

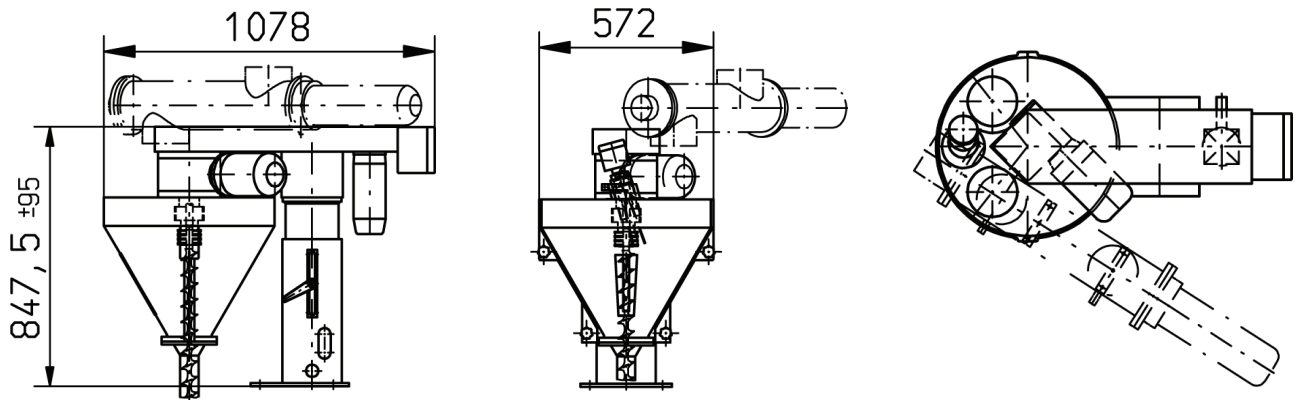
- > Individual selection of feeding systems, dosing screws and agitators
- > Prevention of product dropping through product-specific closing systems
- > Quick and precise adaptation to different bag sizes through stepless hydraulic height adjustment

Economical.

- > High dosing accuracy
- > Gentle product handling
- > Wear-free servo drives
- > Compensation of weight fluctuations through tendency control is possible
- > Short cleaning times through Sanitary Design
- > Quick format size changes

SD-series.

Auger Dosers



Technical data:

All indications are depending on product, dosing, film, production and ambient conditions. Technical modifications are subject to change.

Type	Machine height	Machine width	Machine length	Max. output
SD-50-i	approx. 800 mm	ca. 414 mm	877 mm	180 dosings/min.
SD-50-s	approx. 800 mm	ca. 414 mm	877 mm	180 dosings/min.
SD-100-i	approx. 850 mm	ca. 572 mm	1.078 mm	180 dosings/min.
SD-100-s	approx. 850 mm	ca. 572 mm	1.078 mm	180 dosings/min.

Execution:

i: integrated control
s: separate control

Material:

Stainless steel for all parts in contact with product

Weight:

SD-50: approx. 125 kg
SD-100: approx. 150 kg

Dosing volume:

SD-50: 2 - 7.400 cm³
SD-100: 2- 30.000 cm³

Volume of dosing

hopper:
SD-50: 20 litre
SD-100: 50 litre

Positioning accuracy of dosing auger:
0,045°

Power supply:

230/400 V, 3 Ph, N, PE,
50/60 Hz

Protection:

IP 54

Additional equipment:

- > Horizontal feed screw
- > Gassing system for reduction of oxygen content
- > Tendency control with downstream check weigher
- > Dosing hopper in stainless steel
- > Dosing hopper in transparent design
- > Complete dosing unit in stainless steel design
- > Dosing hopper 80 litres for high package volume
- > Separate mobile control cabinet including operating panel
- > Application for manual filling with base frame

